

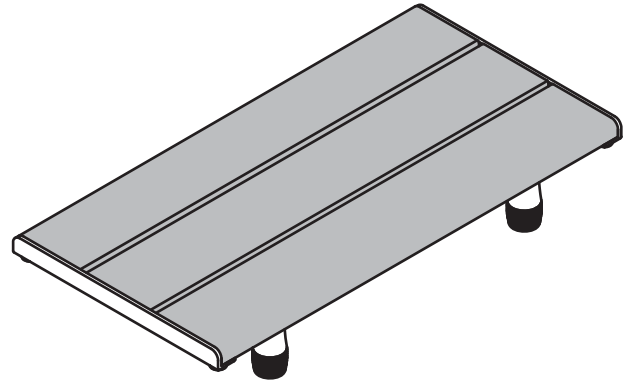
# ADA Bath Bench

For Bathtubs

## Technical Data Sheet

### Product Specification

The bath bench shall be made from laminated Bamboo. The bath bench shall span across and rest on the top surface of the bathtub, with a minimum of 1.25"/3.18cm on each side. Adjustable traction feet should provide stability against inside of the bathtub. The seat frame shall be constructed of corrosion resistant 6061-T6 aluminum. The seating surface shall be 29.5"/74.9cm in width. Product shall have a weight capacity in excess of 500lbs / 227kg. Product shall comply with ADA Guidelines, specifically the dimensions and structural strength of the shower seat.



### Key Features

- Bamboo Bath Bench
- Removable when not in use
- Adjustable traction feet to secure
- 500lbs / 227kg Weight Capacity

### Codes and Standards

- ADA 610.2 Bathtub Seats
- ADA 610.4 Structural Strength

### Specified Model

Model	Frame Finish	Seat Material / Finish	Frame Material
INV-WSBB-ADA-PCG	Powder Coat Grey	Laminated Bamboo / Oil finish	Aluminum 6061-T6
INV-WSBB-ADA-CRP	Triple Chrome Plate		
INV-WSBB-ADA-BN	Brushed Nickel		
INV-WSBB-ADA-ORB	Oil Rubbed Bronze		

*ADA Compliant features (see highlighted dimensions on Page 2):*

- depth of a removable in-tub seat shall be 15-16" / 38.0-40.5cm
- seat shall be capable of secure placement (must be approved by ADA Consultant)
- exceeds ADA structural strength requirements for shower seats (250lbs)

*Additional considerations for ADA installations (see full ADA Guidelines for details):*

- top of the seat shall be 17-19" / 43.0-48.5cm above bathroom finish floor  
(this will be determined by the height of the bathtub)

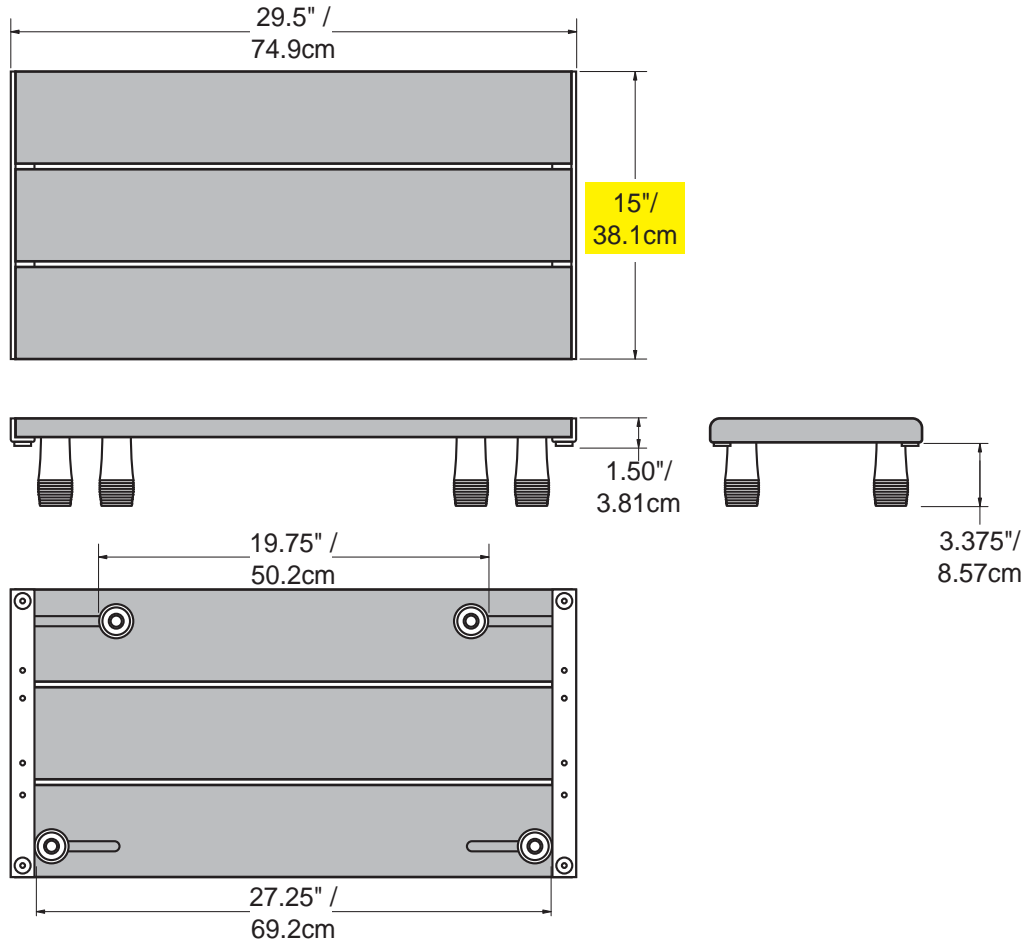
# ADA Bath Bench

For Bathtubs

INVISIA  
LIVE BEAUTIFULLY

## Technical Data Sheet

### Product Dimensions



### Shipping Dimensions

Model	Height (H)	Width (W)	Depth (D)	Weight
WS-BB	4" / 10.2cm	32" / 81.3cm	16" / 40.6cm	14.5lbs / 6.6kg

