

Invisia™ Corner Seat

Elegant Spa Seating

INVISIA
LIVE BEAUTIFULLY

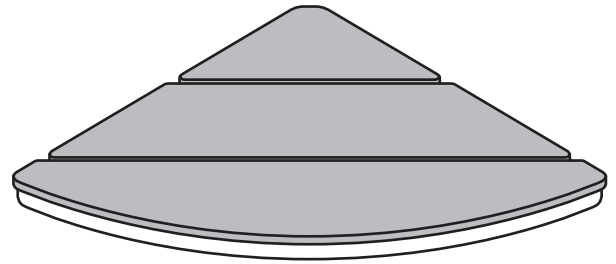
Technical Data Sheet

Product Specification

The corner shower seat shall have a Laminated Bamboo seating surface. The product shall be supported by two 18.5"/47cm hidden supports.

The seat frame shall be constructed of corrosion resistant stainless steel. Product shall have a weight capacity of 500lbs / 227kg.

Product shall comply with ADAAG 5.26.3 specifying the structural strength of grab bars, tubs and shower seats.



Key Features

- Bamboo Corner Seat
- Solid Construction and Mounting
- Hidden Mounting Brackets
- 500lbs / 227kg Weight Capacity
- Decorative Metal Trim

Codes and Standards

- ADAAG 4.26.3

Specified Model

| Model | AAA - Bamboo Stain | BBB - Trim Finish | Trim Material |
|------------------|--------------------|---------------------------|-------------------------|
| INV-WSCS-AAA-BBB | ASH (Ash) | BLK (Matte Black) | #304 Stainless Steel |
| INV-WSCS-AAA-BBB | WNT (Walnut) | BN (Brushed Nickel) | |
| | | CRP (Triple Chrome Plate) | |
| | | ORB (Oil Rubbed Bronze) | |
| | | PCG (Powder Coat Grey) | |

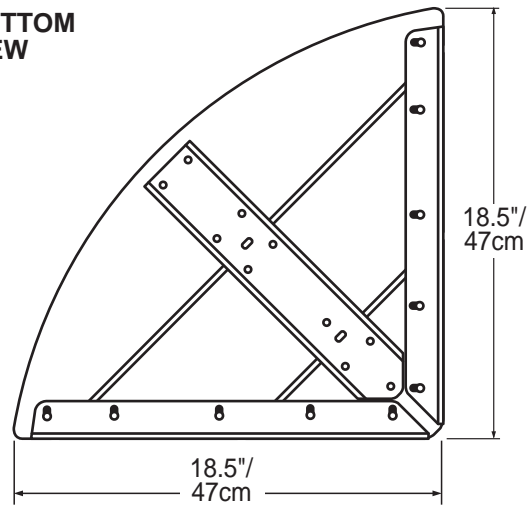
Invisia™ Corner Seat

Elegant Spa Seating

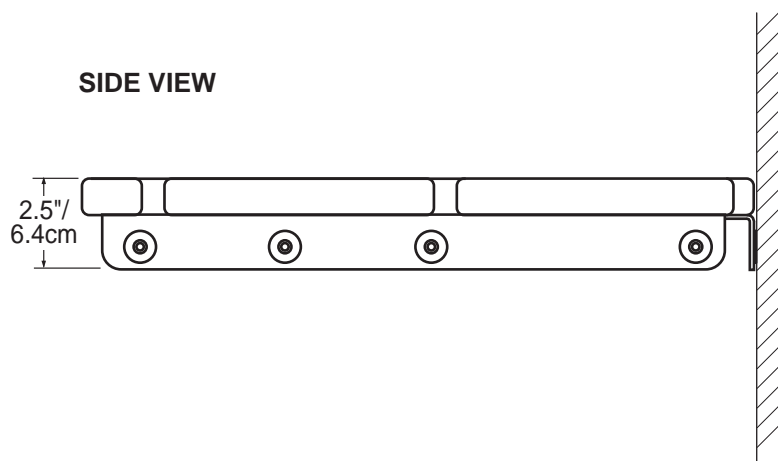
INVISIA
LIVE BEAUTIFULLY

Technical Data Sheet

**BOTTOM
VIEW**



SIDE VIEW



Shipping Dimensions

| Model | Height (H) | Width (W) | Depth (D) | Weight |
|-------|----------------|--------------|------------------|---------------|
| WSCS | 19.5" / 49.5cm | 20" / 50.8cm | 3.625" / 9.207cm | 10lbs / 4.5kg |

