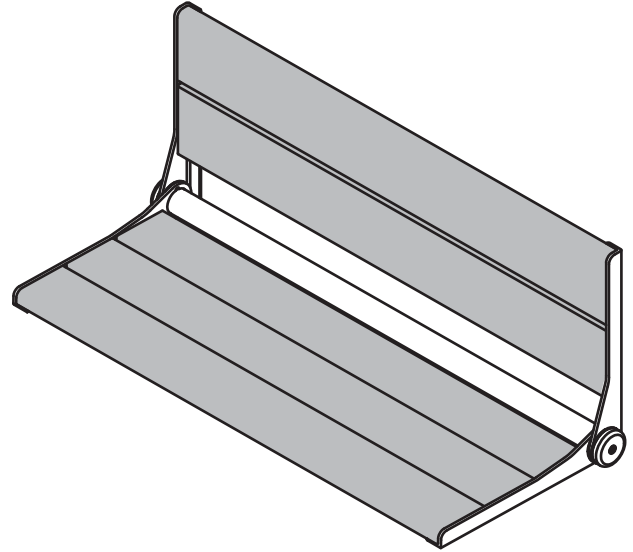


Technical Data Sheet

Product Specification

The shower seat shall have a Laminated Bamboo back rest and seating surface. The seating surface shall be 32"/81cm in width. Product back rest shall be removable. Product shall fold up against the wall with a profile of less than 3"/7.5cm. The product shall be supported by two 15.5"/39.37cm hidden supports. The seat frame shall be constructed of corrosion resistant 6061-T6 aluminum. Product shall have a weight capacity in excess of 500lbs / 227kg. Product shall comply with ADA Guidelines, specifically the dimensions and structural strength of the shower seat.



Key Features

- Bamboo Seat and Back Rest
- Fold Away Storage
- Slim Profile (Under 3"/7.5" when folded)
- Solid Construction and Mounting
- Hidden Mounting Brackets
- 500lbs / 227kg Weight Capacity

Codes and Standards

- ADA 610.3 Rectangular Seats
- ADA 610.4 Structural Strength
- Ontario Building Code Section 3.8.3.13

Specified Model

Model	Seat Width	Frame Finish	Seat Material / Finish	Frame Material
INV-WS32-ADA-PCG	32" / 81cm	Powder Coat Grey	Laminated Bamboo / Oil finish	Aluminum 6061-T6
INV-WS32-ADA-CRP	32" / 81cm	Triple Chrome Plate		
INV-WS32-ADA-BN	32" / 81cm	Brushed Nickel		
INV-WS32-ADA-ORB	32" / 81cm	Oil Rubbed Bronze		

ADA Compliant features (see highlighted dimensions on Page 2):

- shall be the folding type
- rear edge shall be 2.5" / 6.4cm max from the seat wall
- front edge shall be 15-16" / 38.0-40.5cm from the seat wall
- exceeds ADA structural strength requirements for shower seats and fasteners (250lbs)

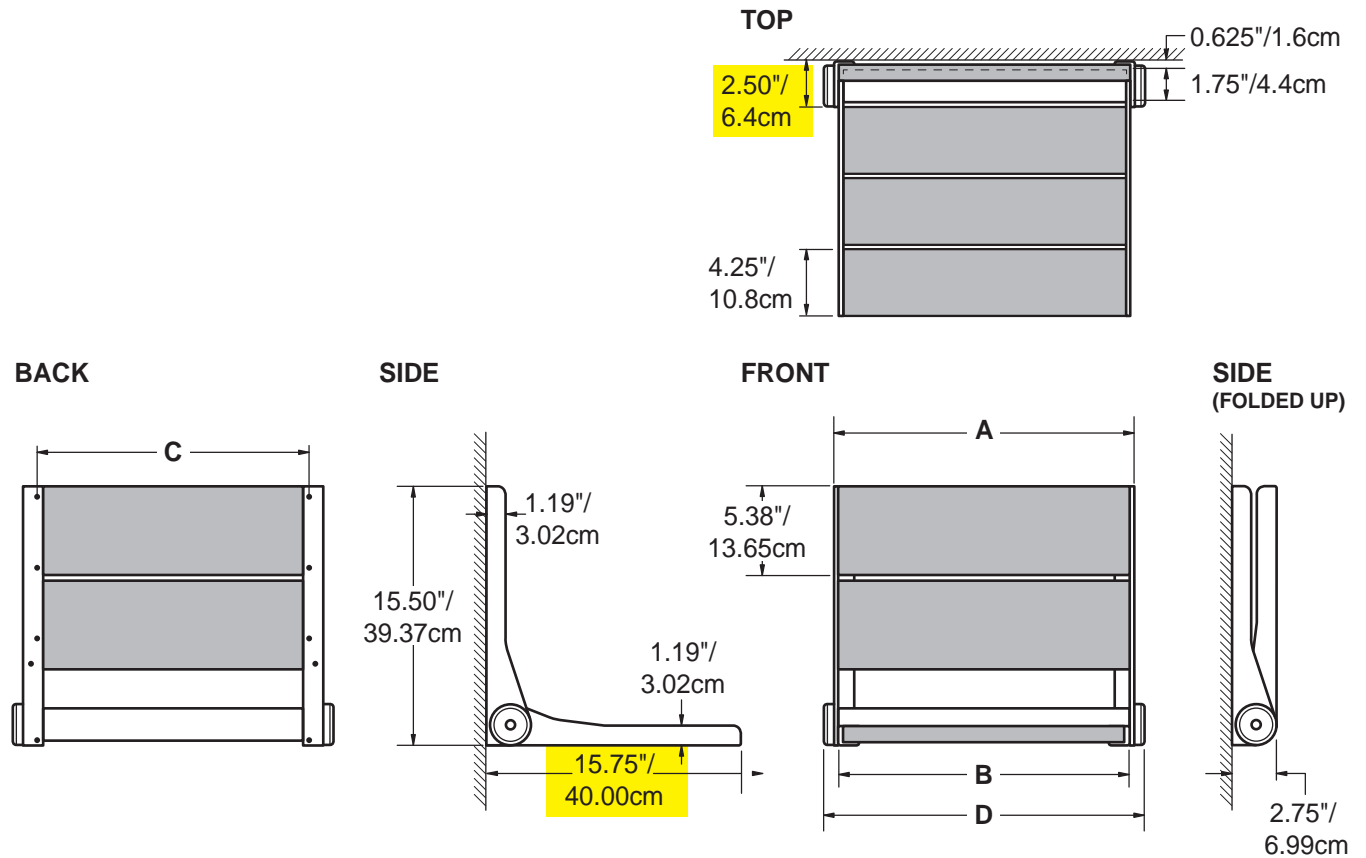
Additional considerations for ADA installations (see full ADA Guidelines for details):

- top of the seat shall be 17-19" / 43.0-48.5cm above bathroom finish floor
- side edge must be within 3" / 7.5cm from compartment entry
- side edge of the seat shall be 1.5" / 3.8cm max from adjacent wall

Technical Data Sheet

Product Dimensions

Model	A (Back Rest)	B (Seat)	C (Hole Spacing)	D (Overall Width)	Weight
WS32	32.58" / 82.8cm	31.96" / 81.2cm	30.83" / 78.3cm	33.74" / 85.7cm	40lbs / 18.1kg



Shipping Dimensions

Model	Height (H)	Width (W)	Depth (D)	Weight
WS32	17.5" / 44.5cm	35" / 88.9cm	3.5" / 8.9cm	34.5lbs / 15.6kg

